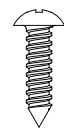
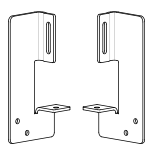
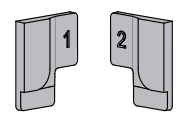
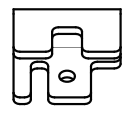
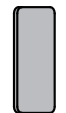





**1**

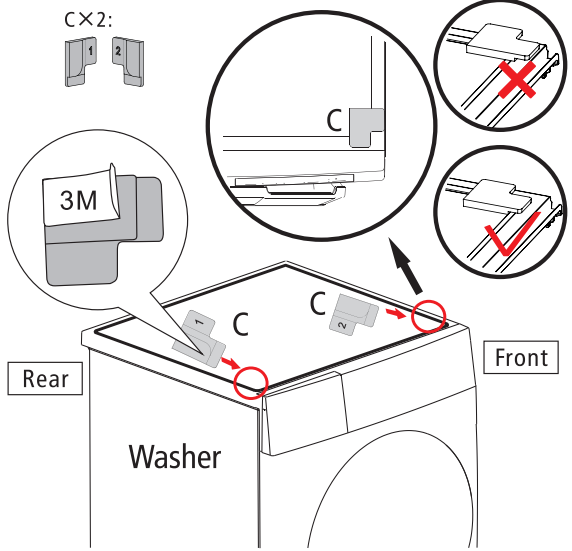
A×10:  B×2:  C×2: 

D×4:  E×4:  F×2: 

 Make sure that the power supply is disconnected before installation!



**2**

C×2: 



Washer

**3**

AX4:  DX4: 

Front

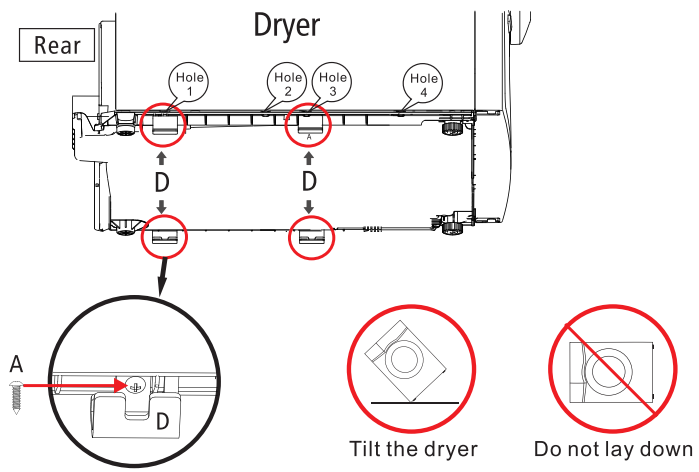
Rear

Dryer

Hole 1, Hole 2, Hole 3, Hole 4


D

A



Note: Hole 2 and 4 will not be used.  
Tilt the dryer to the side then attach part D underneath the dryer and secure with screw A. Repeat both sides.

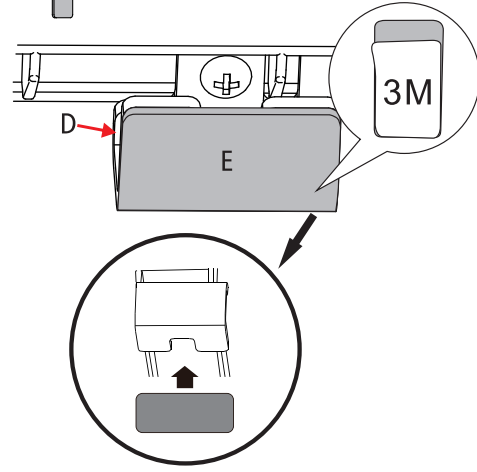
**4**

E×4:  Dryer

D

E

3M



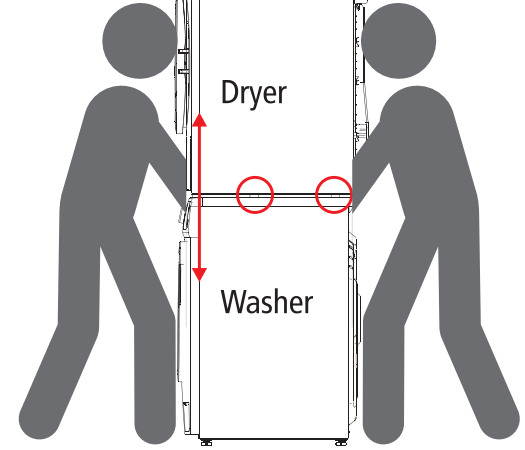
**5**

Front

Rear

Dryer

Washer



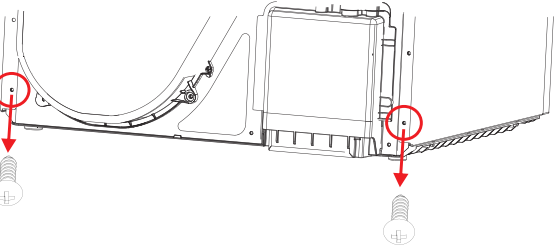
With the help of two people, place the dryer on top of the washer.

**6**

Rear

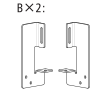

Front

Dryer



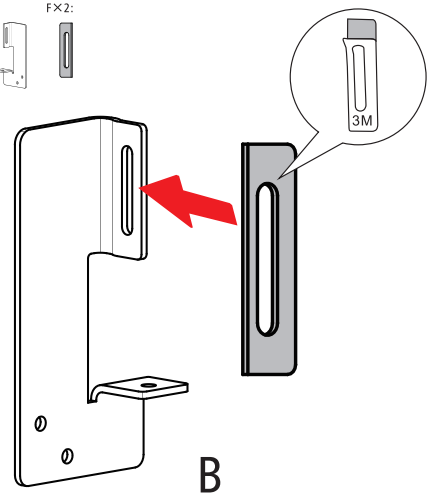
Remove the two screws from the bottom back of the dryer and keep it for the next step.

**7**


B×2:  F×2: 

B

3M



**8**

AX6: 

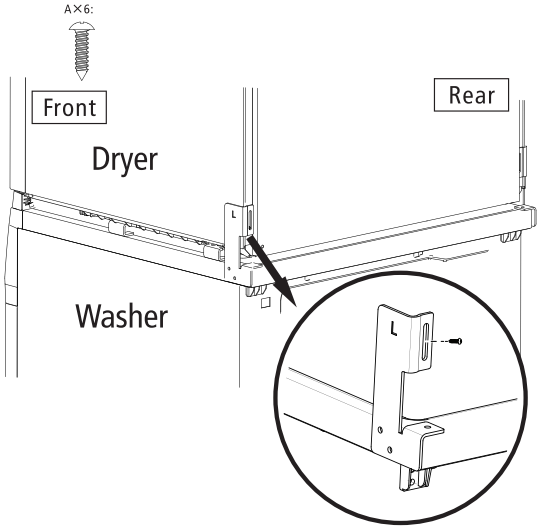
Front

Rear

Dryer


Washer

L



Secure part B to the dryer using Part A (x1).

**9**

AX6: 

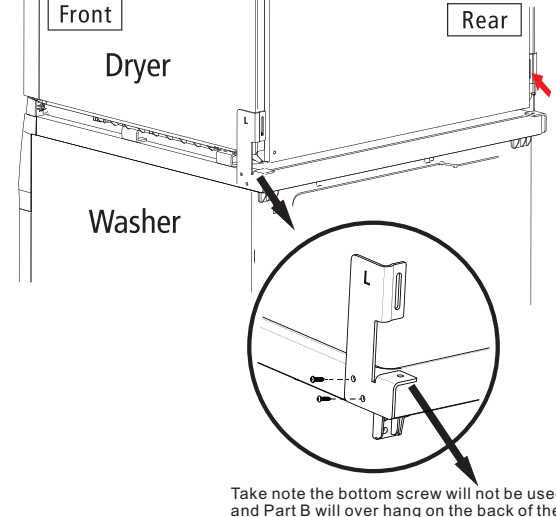
Front

Rear

Dryer

Washer

L



Take note the bottom screw will not be used and Part B will over hang on the back of the dryer

Secure Part B with Part A (x2) to the washer. There are no pre-drilled holes to receive the Part A screws, as they are self-tapping.